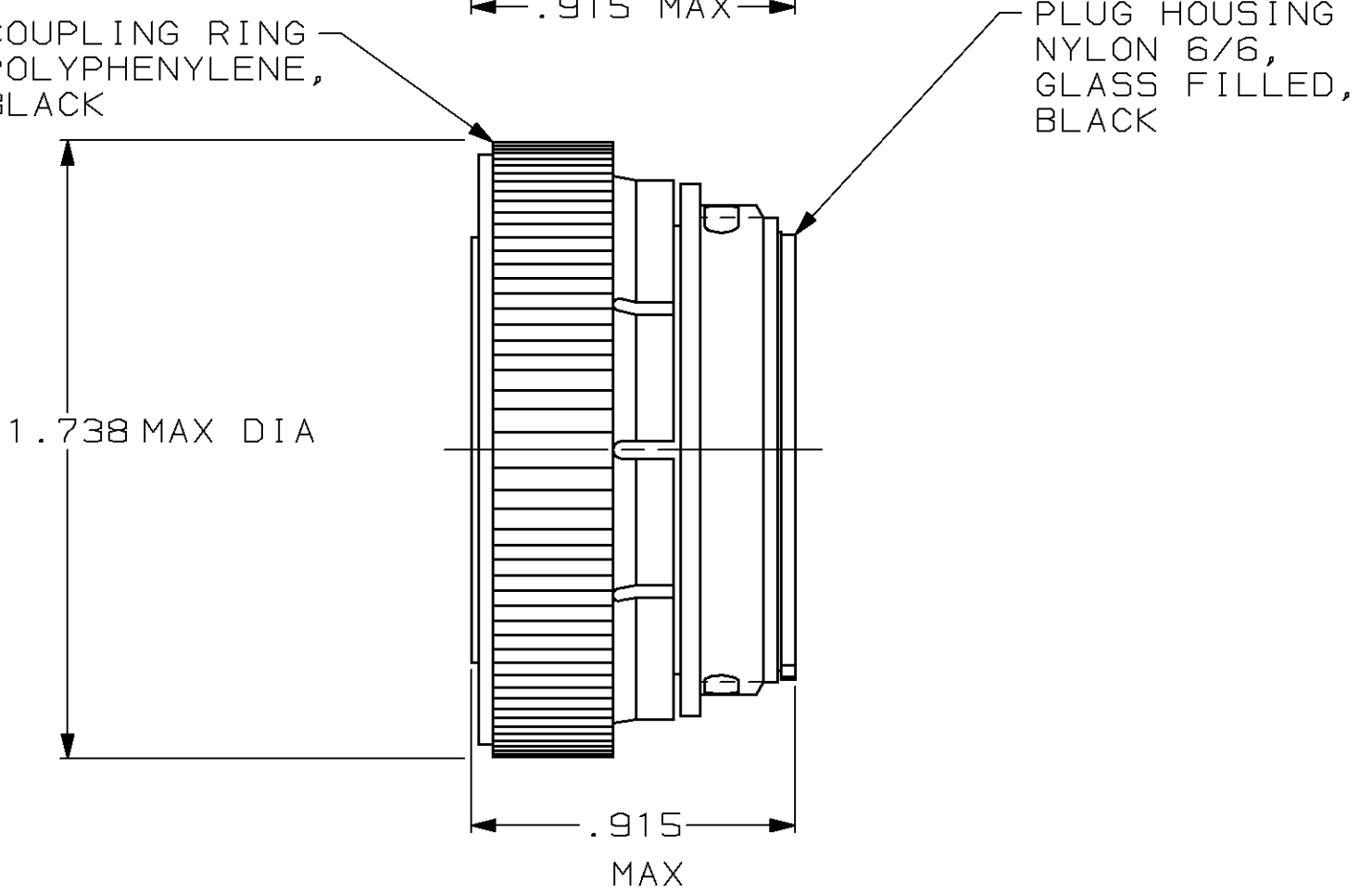
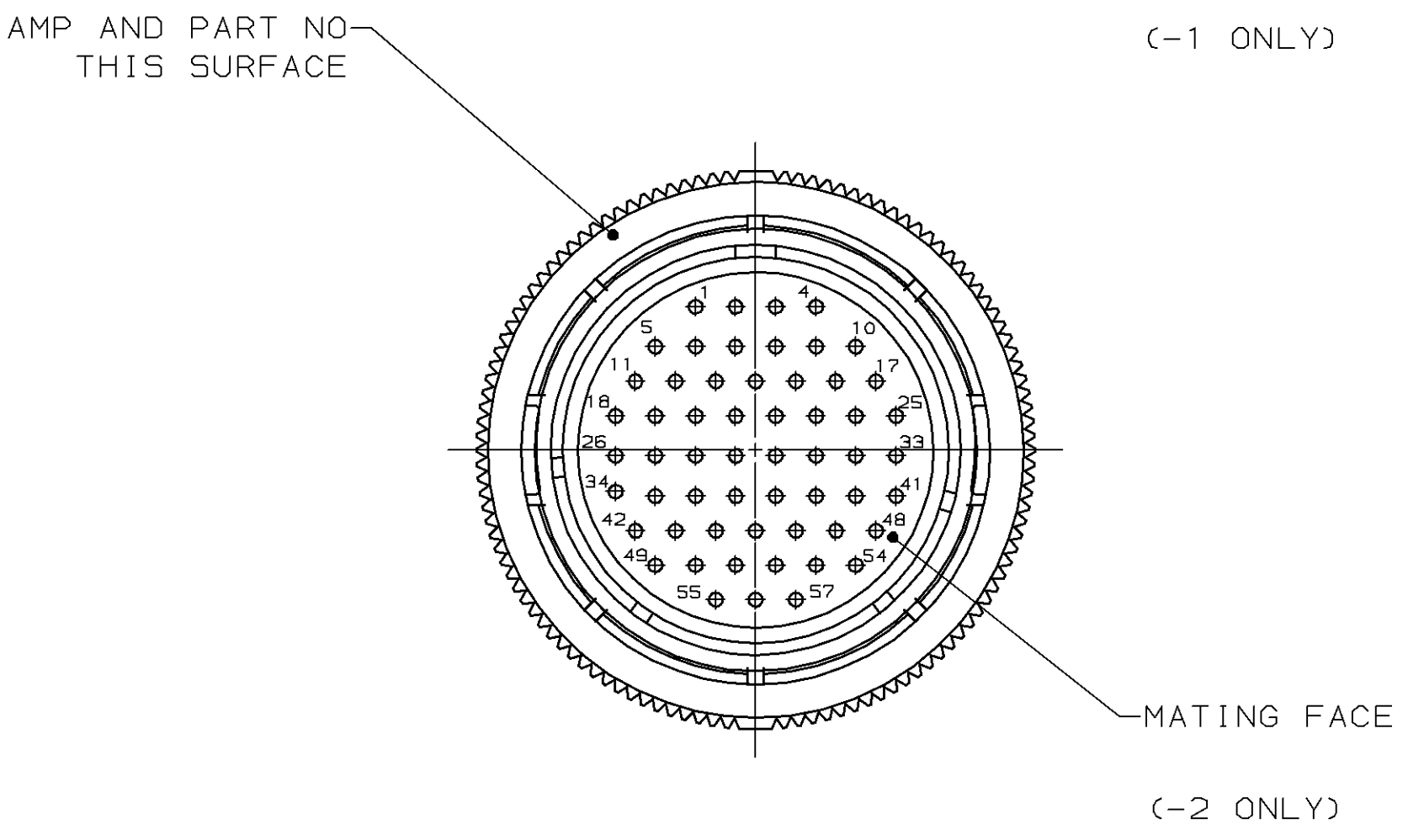
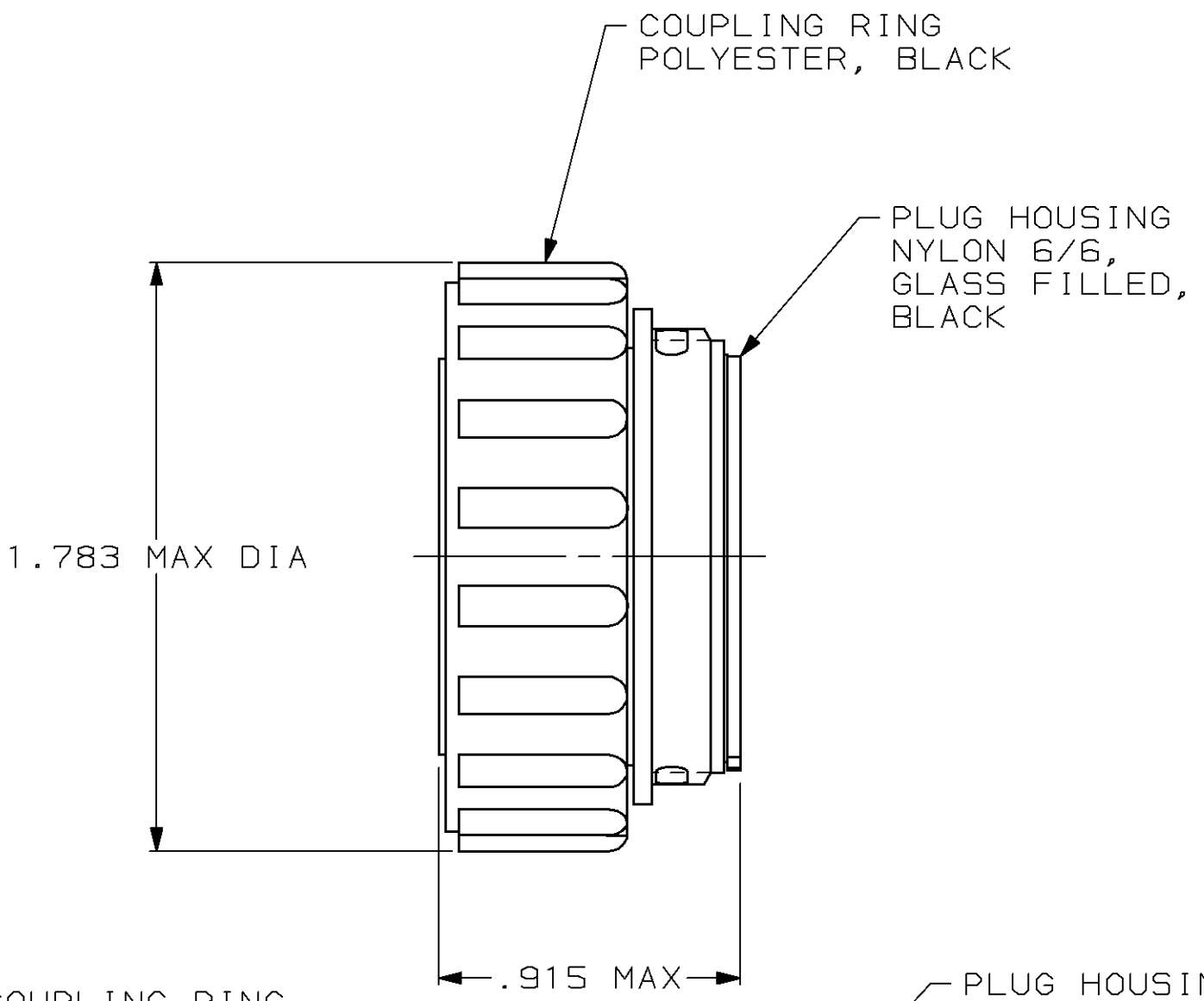
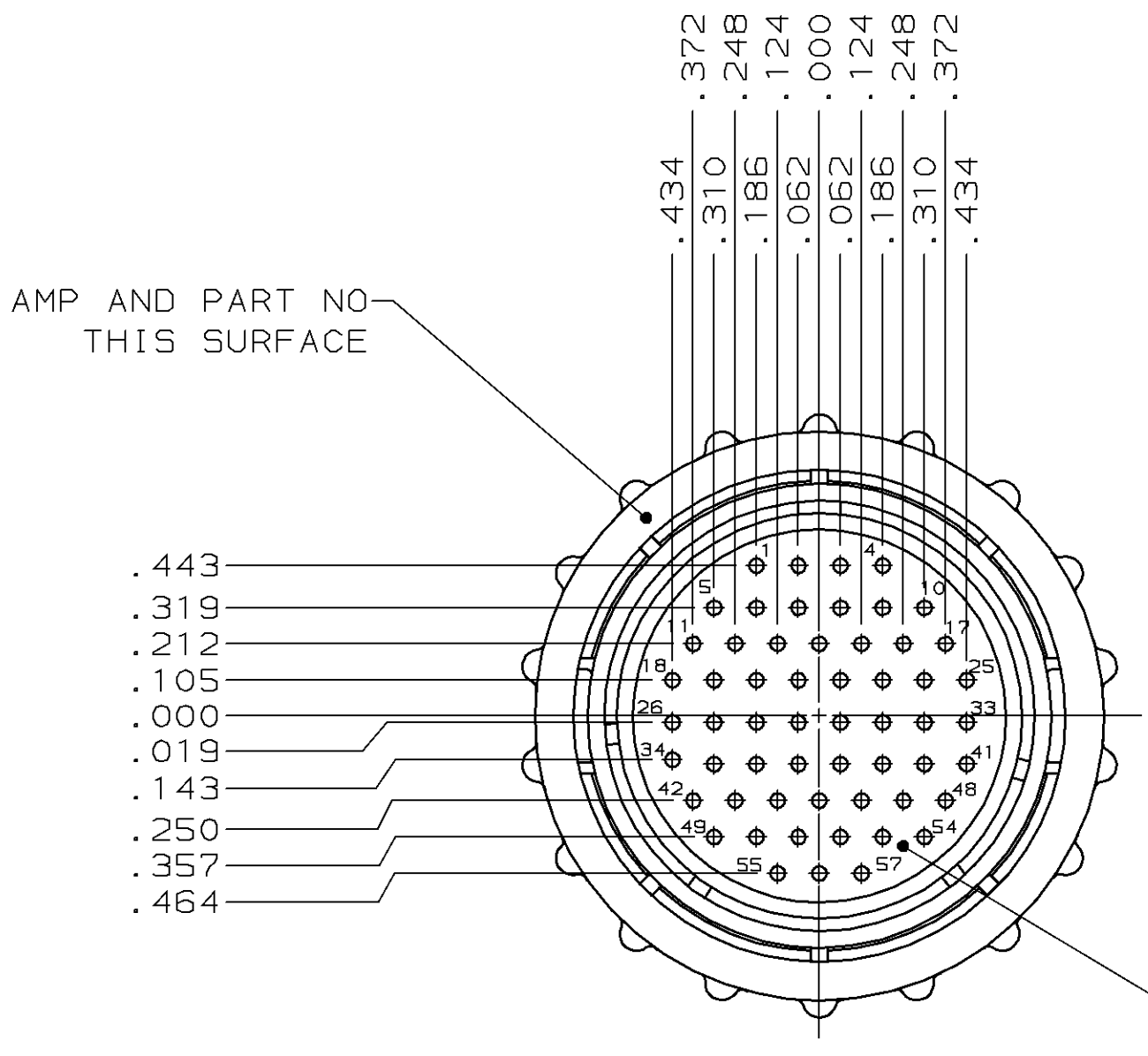


LOC	DIST	P	F	ZONE	LTR	DESCRIPTION	DATE	APPD
FT	4				D	REDRAWN	4/2/91	-
					E	REV PER EC 0020-568-95	20 JUL 95	AF
					F	REV PER EC 0320-7-97	16 JAN 97	KD
					G	ADDED -2 PER EC 0G1C-32-98	24 MAR 98	RW



206437-2
206437-1
PART NUMBER

- CONTACT CAVITIES IDENTIFIED BY CHARACTERS ON FRONT AND REAR FACES OF CONNECTOR.
- WILL ACCEPT (57) SIZE 20 PIN CONTACTS.

DO NOT SCALE PRINT. UNLESS SPECIFIED DIMENSIONS IN INCHES TOLERANCES ON: 2 PLC DEC ± - 3 PLC DEC ± .005 ANGLES ± -	DR 4/2/91 A.STAUB BG	AMP Incorporated Harrisburg, PA 17105-3608		
	CHK 7-23-92 W.G.LENKER			
MATERIAL  SEE CALLOUT	APPD 7-23-92 K.BEAVER	NAME  PLUG ASSEMBLY, REV SEX, SERIES 2, 23-57, CPC		
	APPD 7-23-92 C.ROHDE	PRODUCT SPEC 108-10024		
FINISH  -	APPLICATION SPEC -	SIZE C	CAGE CODE 00779	DRAWING NO 206437
	WEIGHT -	SCALE 2:1	SHEET 1 OF 1	